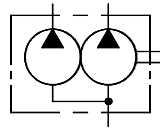


■ PVR 1050 Series Double Vane Pumps

These double pumps consist of one PVR1T and one PVR50 series single pumps combined in tandem within a single housing and driven by a common shaft. Fluid delivered from the two separate ports can be either supplied to separate or common circuits.



Graphic symbol



■ Specifications

Model Number	Small Volume Pump Geometric Displacement cm ³ /rev.	Large Volume Pump Geometric Displacement cm ³ /rev.	Max. Opr. Pressure Kgf/cm ²	Output Flow and Input Power	Shaft Speed Range r/min.		Mass (Approx) Kg.	
					Max.	Min.	Flange Mounting	Foot Mounting
PVR1050	Refer Specification in page No. 119	Refer Specification in Page No. 124	175	Refer Page 122, 123, 126, 127 & 128	1800	600	17.7	20.5

■ Model Number Designation

F-	PVR1050	-L	-F	-4	-39	-R	E	A	A	-11	80
Special Seals	Series Number	Mounting	Type of Pipe Connection	Small Volume Pump Nominal Displacement	Large Volume Pump Nominal Displacement	Direction of Rotation	Small Volume Pump Discharge Position	Large Volume Pump Discharge Position	Suction Port Position	Design * No.	Design Std.
F: For Phosphate Ester Type Fluids. (omit if not required)	PVR1050	L: Foot Mounting F: Flange Mounting	F: Flange Connection	4, 6 8, 10 12, 15 17	13, 20 26, 30 36, 39 45, 51	R: Clockwise (Normal) L: Anticlockwise				11	80
						As viewed from shaft end					

* Design numbers subject to change from 10 to 19, but installation dimensions remain as shown.

* For instructions regarding changing the port positions, consult YUKEN INDIA LTD.

■ Cartridge Kit Model Number

● Large Volume Pump

CPVR1050	-13	-R	-10
Model Number	Nominal Displacement	Shaft Rotation	Design No.
CPVR1050	13	R: Clockwise (Normal)	10
	20		
	26		
	30	L: Counter-Clockwise	
	36		
	39		
	45		
51			

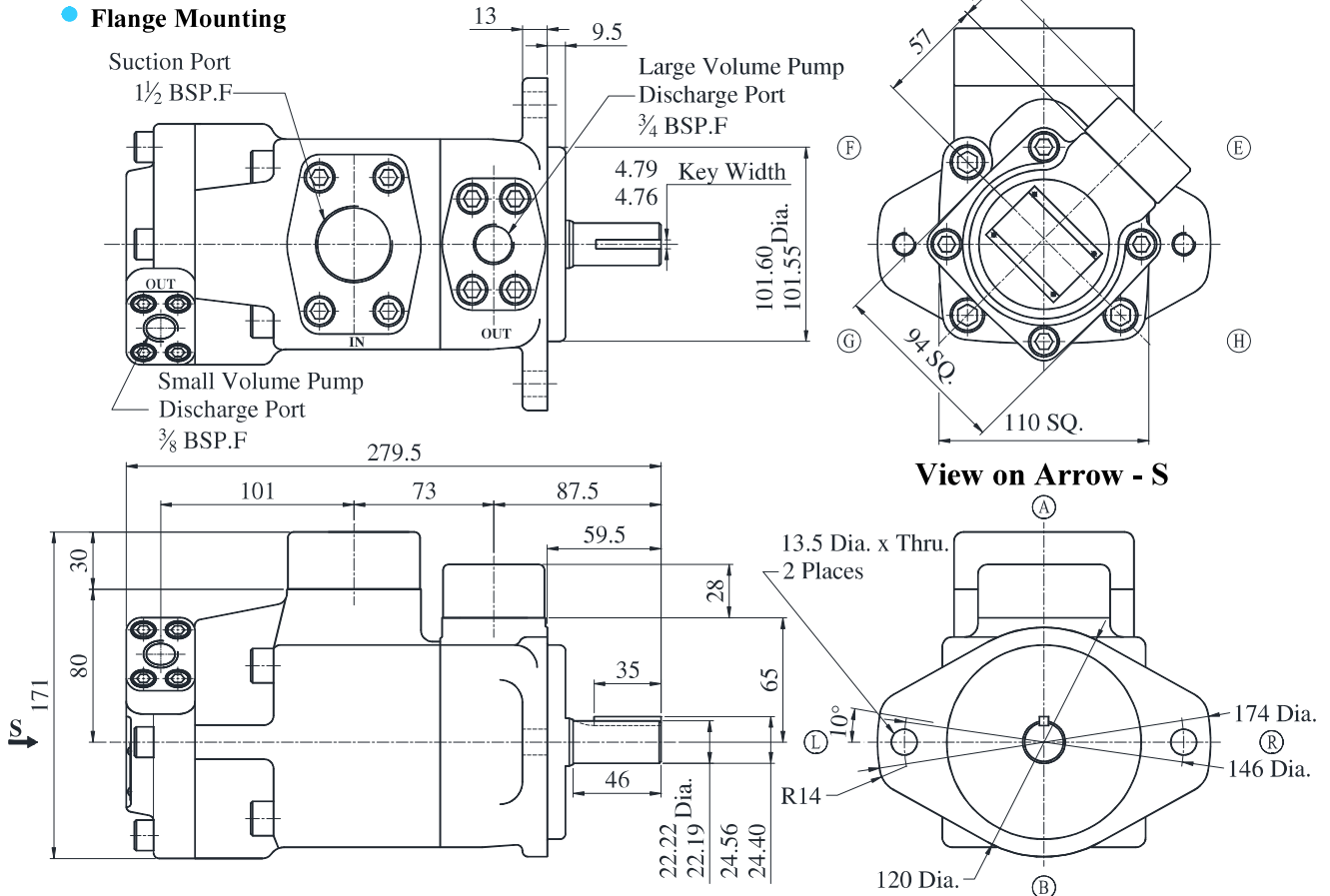
● Small Volume Pump

CPVR1050	-4	-R	-20
Model Number	Nominal Displacement	Shaft Rotation	Design No.
CPVR1050	4	R: Clockwise (Normal)	20
	6		
	8		
	10	L: Counter-Clockwise	
	12		
	15		
	17		

* For instructions regarding replacing cartridge kit, consult YUKEN INDIA LTD.

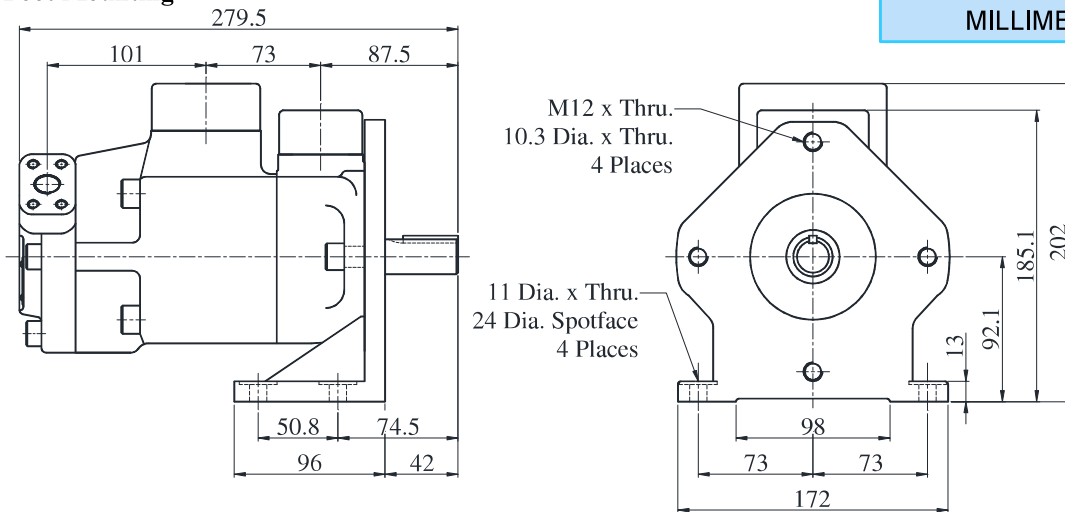
PVR1050-F-F-※-※-※※※※※-1180

● **Flange Mounting**



PVR1050-L-F-※-※-※※※※※-1180

● **Foot Mounting**



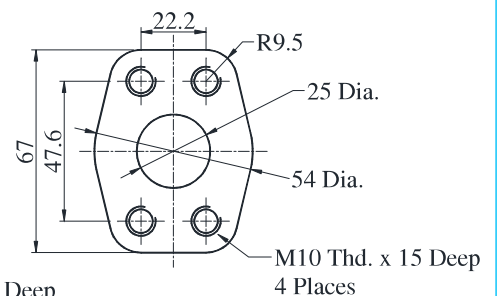
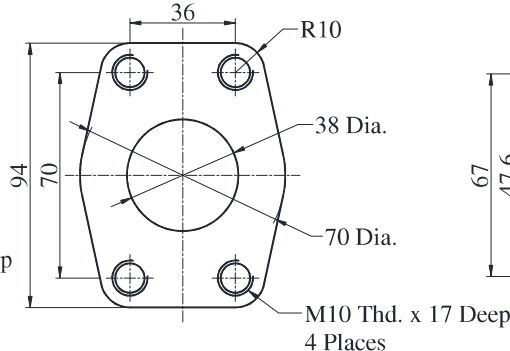
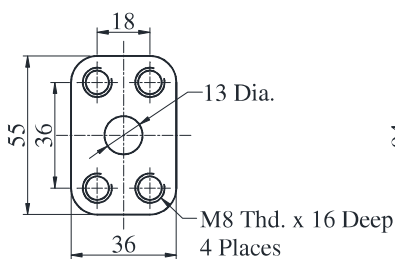
DIMENSIONS IN MILLIMETRES

For Reference: Dimensions of Pipe Flange Mounting Surfaces

Small Volume Pump Discharge Port

Suction Port

Large Volume Pump Discharge Port



“PVR” Series Double Vane Pumps

■ Flanges

Note: Please refer page no. 747 for flange details.

■ Spare Parts List

● List of Seals

Sl. No.	Name of Part	Part number	Qty.
1	O-Ring	SO-NB-G35	1
2	O-Ring	SO-NA-P41	1
3	O-Ring	SO-NB-G60	1
4	O-Ring	SO-NA-G80	1
5	O-Ring	SO-NB-G80	1
6	O-Ring	SO-NB-G85	1
7	Backup-Ring	SO-BB-P41	1
8	Backup-Ring	SO-BB-G80	1
9	Oil Seal	ISPD 25388	1

Note: When ordering the seals, please specify the seal kit number KS-PVR1050-1180.